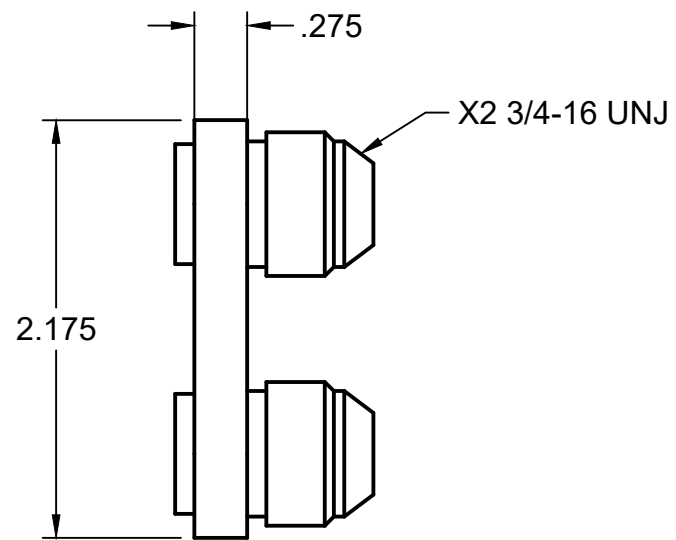
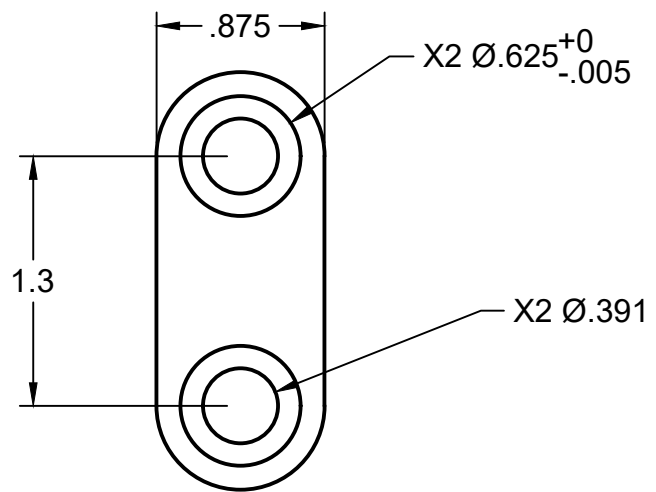
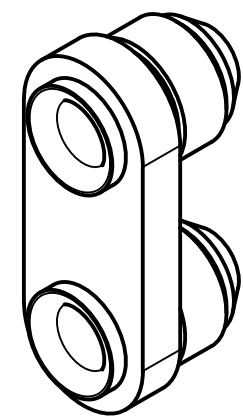
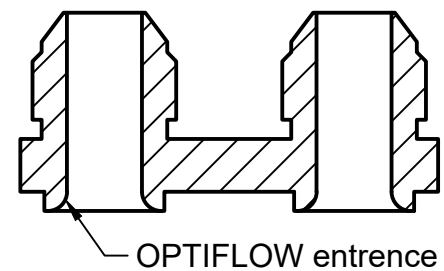


SECTION A-A
SCALE 1:1



All diminsions in inches X.XX +/- .010 X.XXX +/- .005 Unless otherwise noted	PROJECT			REV	
	Fittings				
APPROVED CHECKED	TITLE			A	
	-8 weld on male 2 in 1				
DRAWN	Jeff Davis	12/27/2021	SCALE 1:1	WEIGHT	SHEET 1/1
			SIZE	CODE	DWG NO
			A		DWO-8M