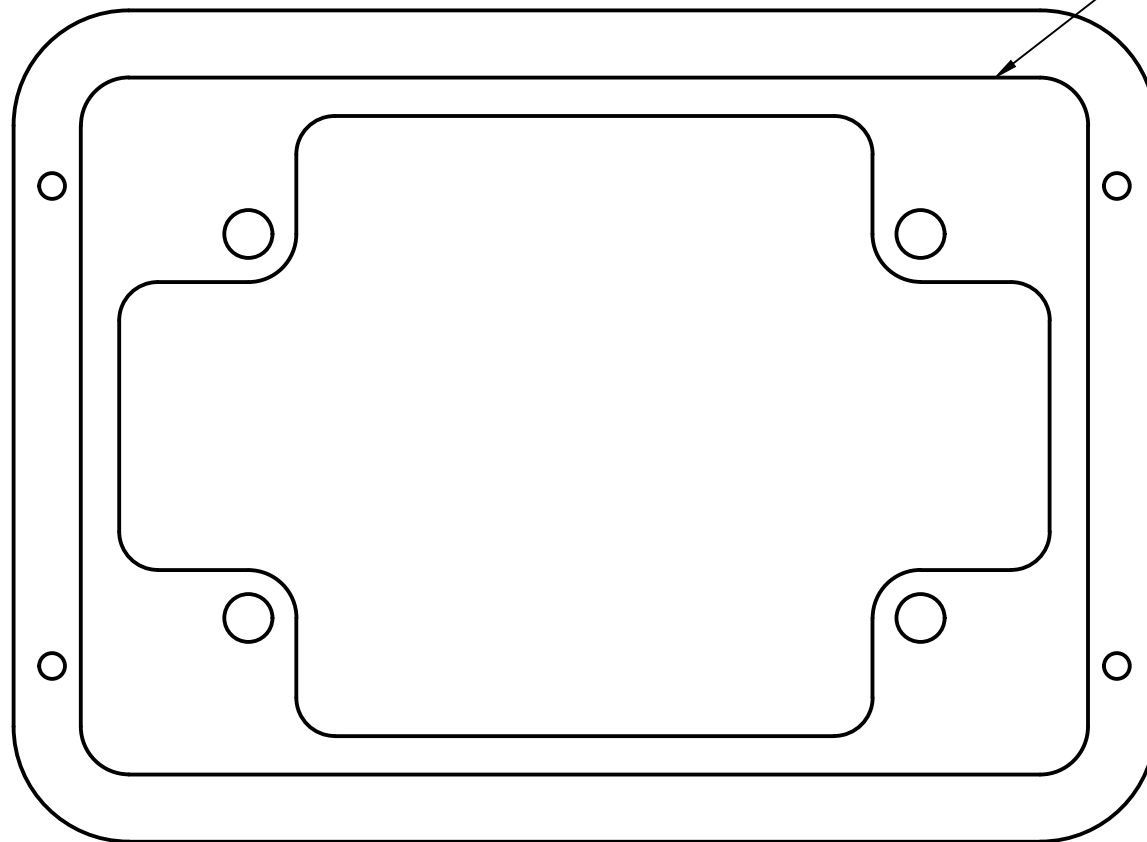


		PROJECT		
		<b>Bezels</b>		
		TITLE		
		<b>15 Button keypad</b>		
APPROVED	SIZE	CODE	DWG NO	REV
CHECKED	A		FPN15BUTTON	A
DRAWN	Jeff Davis	12/28/2021	SCALE 1:2	WEIGHT
			SHEET 1/2	

# 15 BUTTON CUTTING TEMPLATE

PRINT SCALE 1:1



CUT THIS LINE